



- Serviceable with spare parts available.
- Cost effective, light weight construction.
- Easy to clean accessible valves.
- Standard inlet fitting 3/16" (4mm), (optional 1/4" (6mm) available).



### NOZZLES AVAILABLE

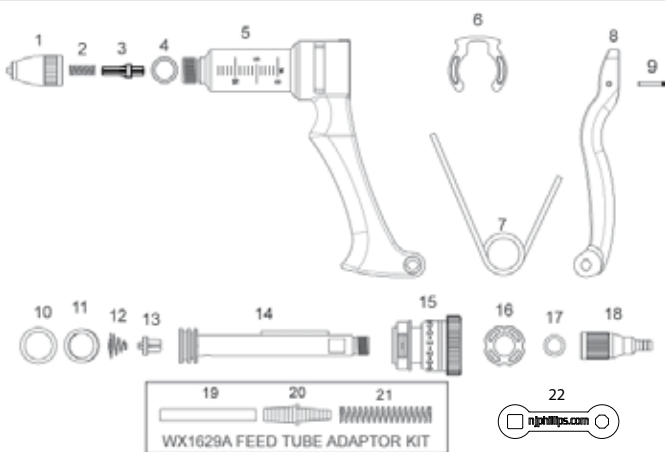
#### POUR-ON



#### DRENCHING



### PARTS BREAKDOWN



- |  |                                 |  |
|--|---------------------------------|--|
| 1. Needle Mount Assembly (SXM616)      | 12. Conical Spring (SP1475)     |  |
| 2. Valve Spring (SP2)                  | 13. Inlet Valve (SH1447/C4)     |  |
| 3. Delivery Valve (SH130)              | 14. Pushrod & Piston (SH1565)   |  |
| 4. Luer Mount Handle Seal Ring (SP340) | 15. Dose Adjustor (SH1568)      |  |
| 5. Handle (SH1564/K15)                 | 16. Pushrod Guide (SH1567)      |  |
| 6. Clip (SH1504)                       | 17. Seal Ring (SP309)           |  |
| 7. Return Spring (SP1412)              | 18. Inlet Adaptor (SH668)       |  |
| 8. Lever (SH1605/K15)                  | 19. Tube Adaptor (SH1022)       |  |
| 9. Pivot Pin (SP1437)                  | 20. Adaptor Barb (SH1027)       |  |
| 10. Seal Ring (SP890)                  | 21. Spring (SP67)               |  |
| 11. Lubricating Washer (SF10)          | 22. Needle Hub Spanner (SH1613) |  |

MODEL	DOSE RANGE	INCREMENTS
15ml	0.5ml – 15ml	0.5ml

### ACCESSORIES

<p><b>WX46 2.5L CONTAINER COMPLETE</b></p>	<p><b>WX185 5L SEMI-FLEXIBLE BACKPACK</b> To suit 6mm (1/4") &amp; 9mm (3/8") bore feed tubes, along with straps and feed tube adaptor kit.</p>	
<p><b>SP1212 5L FULLY-FLEXIBLE BACKPACK</b></p>	<p><b>SP1426 ARM PACK</b></p>	<p><b>SP1009 BACKPACK HOLDER</b> Holds 2.5 and 5 litre Backpacks.</p>

KIT NO.	PART NAME	PART NO.
WX1696	Service Kit	2,3,10,11,12,13.
WX1629A	Feed Tube Adaptor Kit	19,20,21.
WX1723	Luer Needle Mount Assembly	1.

PLEASE ORDER BY KIT AND PART NAME



Customise this instrument with your brand colour and logo. Contact us for details.



LOCKED BAG 8, GOSFORD NSW, AUSTRALIA 2250

P +61 2 4340 2044 F +61 2 4340 1991 | E njp1@njphillips.com.au