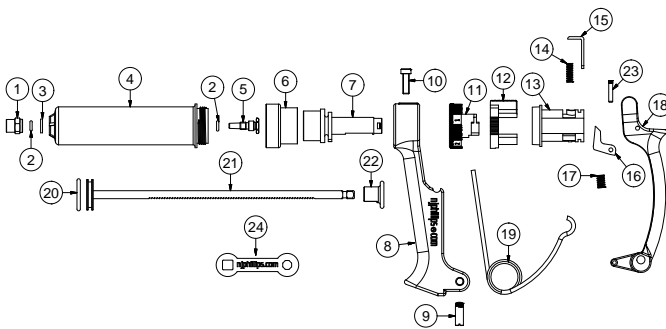




- Comfortable handle.
- Administers a variety of vaccines.
- Easy to clean and maintain.
- Fixed settings for ease and speed of use.
- Optional polypropylene barrel for increased chemical resistance.



## PARTS BREAKDOWN



- |   |  |
|---|--|
| 1. Luer Lock Needle Nut (SN402)                   | 13. Dose Adjustor Locking Sleeve (SH436) |
| 2. Needle Nut Seal Ring (SP69)                    | 14. Ratchet Plate Spring (SP452)         |
| 3. Fibre Seal Washer (SP42)                       | 15. Ratchet Plate (SH1340)               |
| 4. 50ml Cylinder (SH393)<br>25ml Cylinder (SH823) | 16. Operating Pawl (SH883)               |
| 6. Delivery Cage Seal Ring (SP69)                 | 17. Pawl Return Spring (RP475)           |
| 5. Luer Lock Mount Delivery Cage (SN401)          | 18. Lever (RA473/G4)                     |
| 7. Cylinder Support (SN246)                       | 19. Return Spring (SP1483)               |
| 6. Cylinder Support (SN246)                       | 20. 50ml Piston Seal Ring (SP346)        |
| 7. Push Rod Guide (SH435)                         | 25ml Piston Seal Ring (SP887)            |
| 8. Handle (SA70)                                  | 21. 50ml Push Rod Assembly (SXN229)      |
| 9. Lever Pivot Screw (SN16)                       | 25ml Push Rod Assembly (SXN385)          |
| 10. Handle Clamp Screw (SP6/N)                    | 22. Push Rod End Knob (SH1175)           |
| 11. 50ml Dose Adjustor (SH437)                    | 23. Pawl Pivot Pin (RN474)               |
| 25ml Dose Adjustor (SH822)                        | 24. Needle Hub Spanner (SH1613)          |
| 12. Release Locking Ring (SH438)                  |  |

MODEL	DOSE RANGE	INCREMENTS	CODE
25ml	0.5ml – 25ml	0.5ml	PAS790
50ml	1ml – 50ml	1ml	PAS385

KIT NO.	PART NAME	PART NO.
WX999	25ml Cylinder Assembly	1,2,3,4,5,20.
WX1718	25ml Cylinder Assembly	Not illustrated – polypropylene barrel.
WX1004	25ml Minor Service Kit	2,3,14,17,19,20.
WX1434	25ml O-rings	20 (pack of five).
WX1111	50ml Cylinder Assembly	1,2,3,4,5,20.
WX1719	50ml Cylinder Assembly	Not illustrated – polypropylene barrel.
WX1116	50ml Minor Service Kit	2,3,14,17,19,20.
WX1433	50ml O-rings	20 (pack of five).
WX1421	4-Pack Coloured Knobs	Not illustrated.
WX1112	Push Rod & Piston Assembly	20,21,22.
WX1115	Dose Adjustor Assembly	7,11,12,13,14,15.
WX998	Return Spring & Lever Screw	9,19.
WX1116	Service Kit	2,3,14,17,19,20.

PLEASE ORDER BY KIT AND PART NAME

## ACCESSORIES



**WX1421**  
INTERCHANGEABLE COLOURED PUSH KNOBS  
FOR EASY PRODUCT IDENTIFICATION



Customise this instrument with your brand colour and logo. Contact us for details.



**njphillips.com**  
*Our expertise is in your hands.*

LOCKED BAG 8, GOSFORD NSW, AUSTRALIA 2250

P +61 2 4340 2044 F +61 2 4340 1991 | E njp1@njphillips.com.au